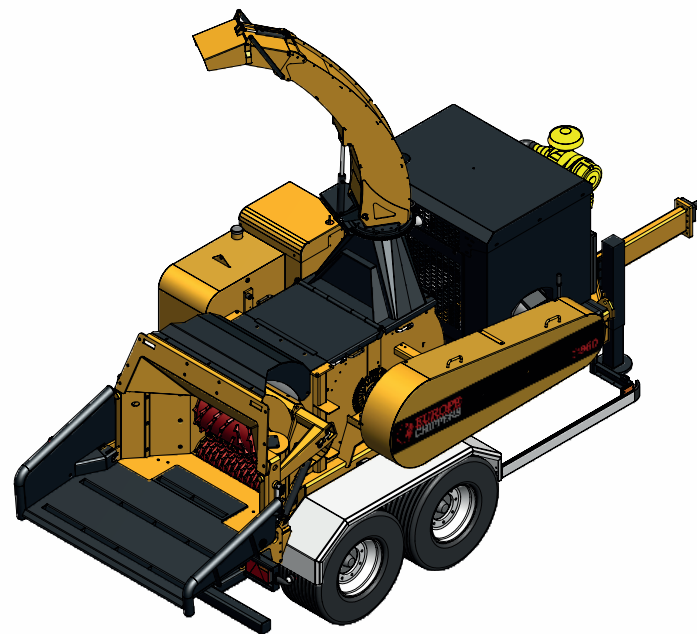
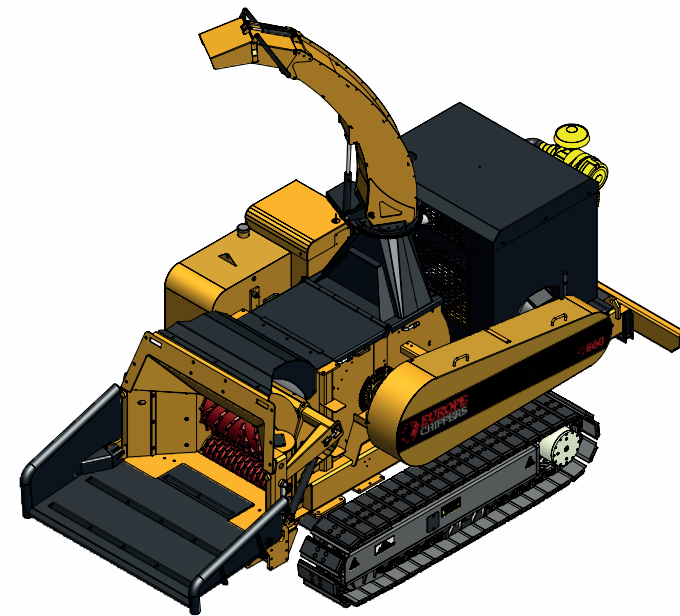


NEW

EC 860 MODULAR DESIGN





Contents

Base unit	1
Infeed table	2
Crane options	3
Power options	4
EC 860 twin axle	5
EC 860 tracks	6

EC 860 BASE UNIT

THE NEW EC 860 EUROPE CHIPPER IS AVAILABLE IN MULTIPLE EDITIONS. EASY CUSTOMIZATION DUE TO SMART MODULAR DESIGN.

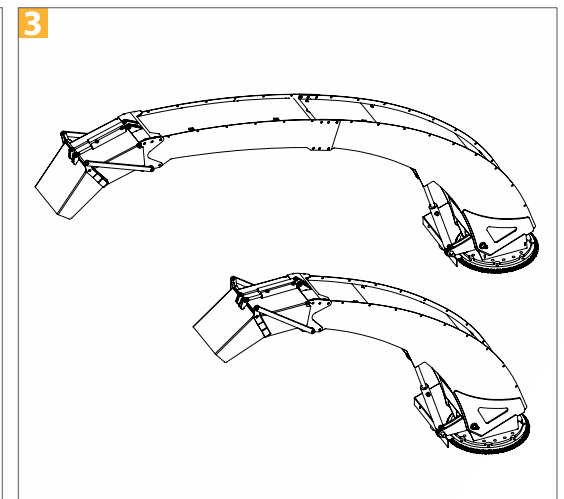
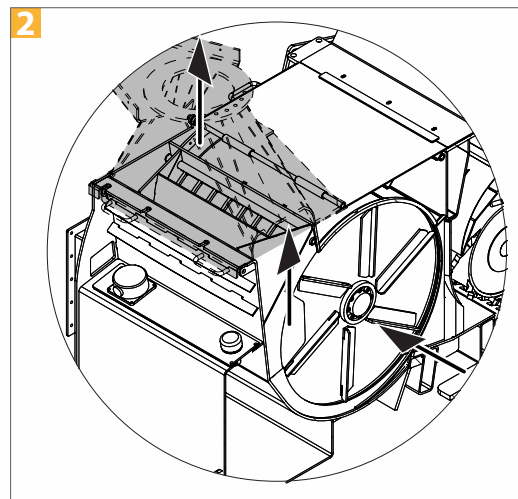
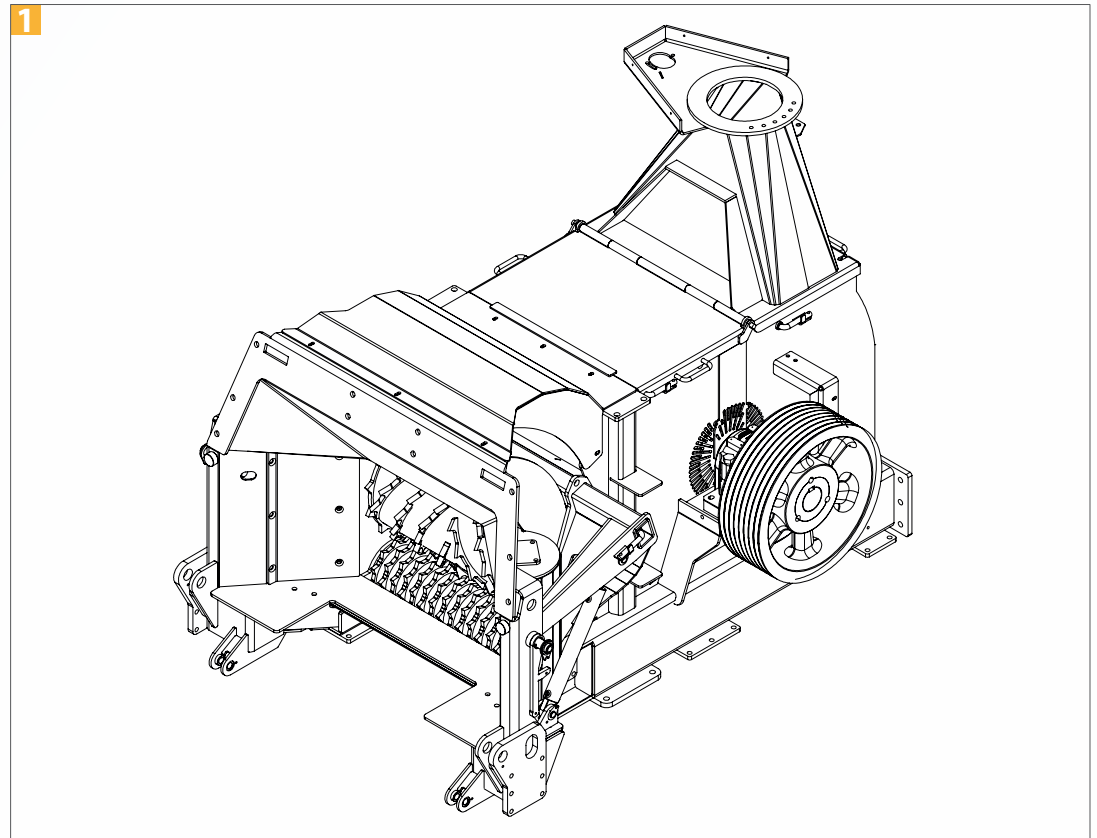
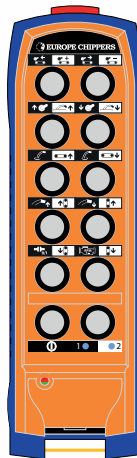
Base unit options

- 1** Base unit for EC 860 wood chipper, including:
 - Drum with 3 knives and integrated innovative venturi system for chip discharge.
 - Wide infeed opening (800x600 mm)
 - Automatic no-stress infeed system
 - Hydraulic top infeed roll
 - Hydraulic bottom infeed roll
 - Emergency stop on both sides
 - 50/70 mm screens
 - Solid steel frame module, integrated in the chipper house
 - Replaceable wearplates along the material flow
 - RAL1007 and RAL7021 coating, custom color is optional

- 2** The venturi system produces thrust separate from the chipped material but merges this in the discharge funnel. This reduces dust production to an absolute minimum and increases chip quality.

- 3** Optional long discharge chute
The long discharge chute can load the chips into even the highest containers up to 5 meters high.
 - 360° turntable
 - hydraulically foldable

- *** Optional Europe Controller
 - Programmed PLC
 - Proportional valves
 - Colour display
 - Remote control

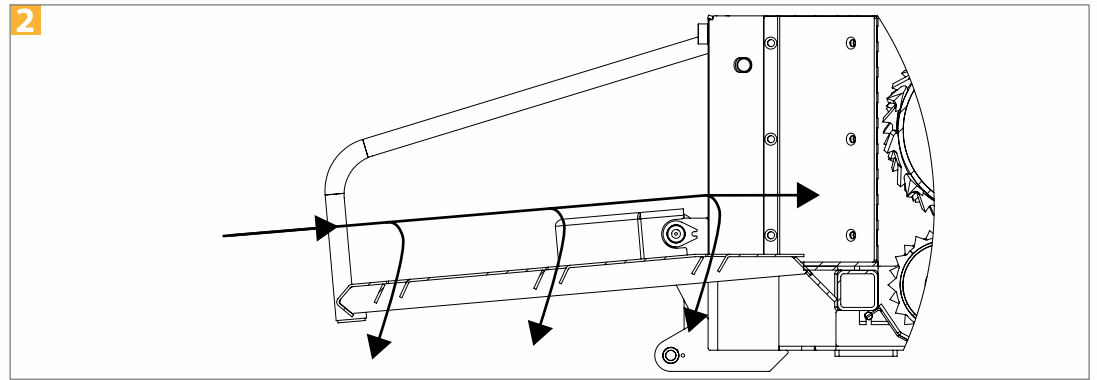
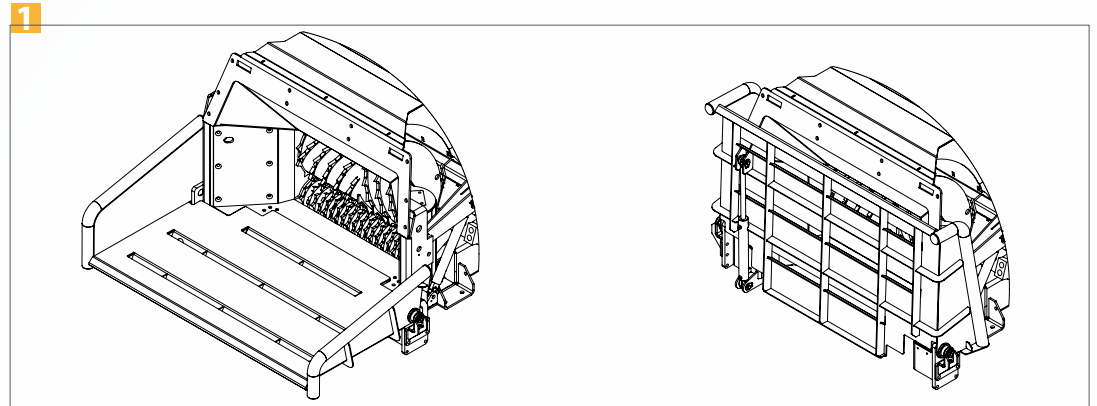


EC 860 INFEED TABLE

THE EC 860 CAN BE MOUNTED WITH A HEAVY DUTY CRANE INFEED TABLE. THIS SETUP IS IDEALLY USED IN COMBINATION WITH CRANE CONFIGURATION.

Infeed table details

- 1** 90° foldable crane infeed table. The heavy duty crane infeed plate is hydraulically foldable and requires minimal maintenance.
- 2** The special sand outlet slots guarantee double lifetime of knives and counterknife.
- 3** The heavy duty crane infeed plate is best used in combination with a crane as side-feed. The width of the machine stays within 2m and is therefore roadlegal.



CRANES AND CONTROLLERS

THE EUROPE CHIPPER CAN BE FITTED WITH A CRANE AND CONTROLLERS TO YOUR LIKING.

Options for cranes and controllers

- 1** Wide range of Europe Forestry cranes, manufactured by Palfinger and Patruuna. The EC 860 can be equipped with a forestry crane with a maximum lifting weight of 5 tonnes and outreach of 7.5 meter.

Two wood grapples are available,

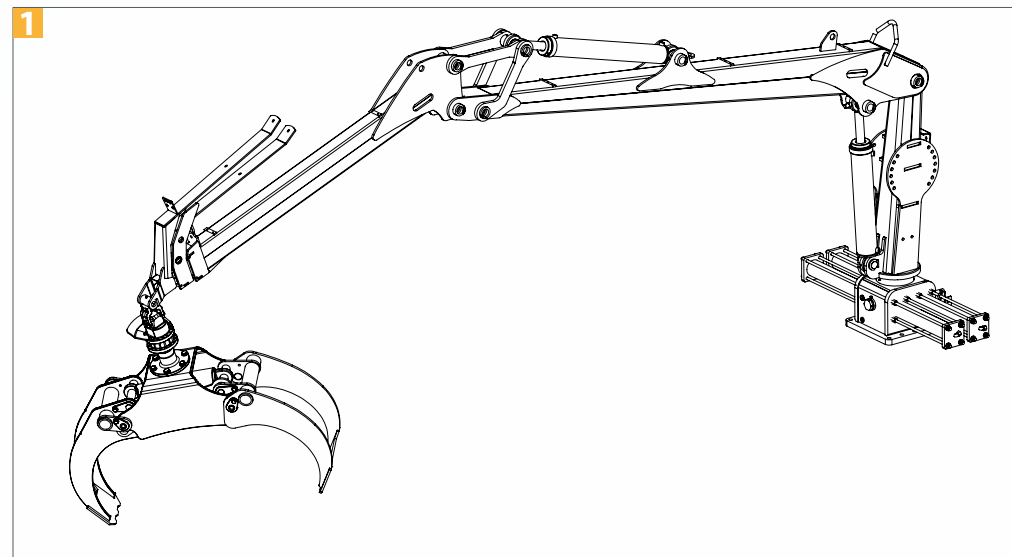
- Grapple 200 - max opening 1100mm including rotator
- Grapple 310 - max opening 1500mm including rotator

- 2** Mechanical control. In the basic valve system, the extension, the grapple and the support legs are controlled with independent control levers.

- 3** Ergo control. The loader operations are controlled with three-function ERGO levers. The extension and the grapple are used by modifying the position of the wrist.

- 4** Electronic pilot control. High-quality Danfoss PVG32 valves with extended Profi 1 handles provide 6 proportional functionalities.

- * The machine is equipped with 9-tonnes support legs to keep stability while working.
The number and position of the support legs depends on the build-up of the machine.



EC 860 POWER OPTIONS

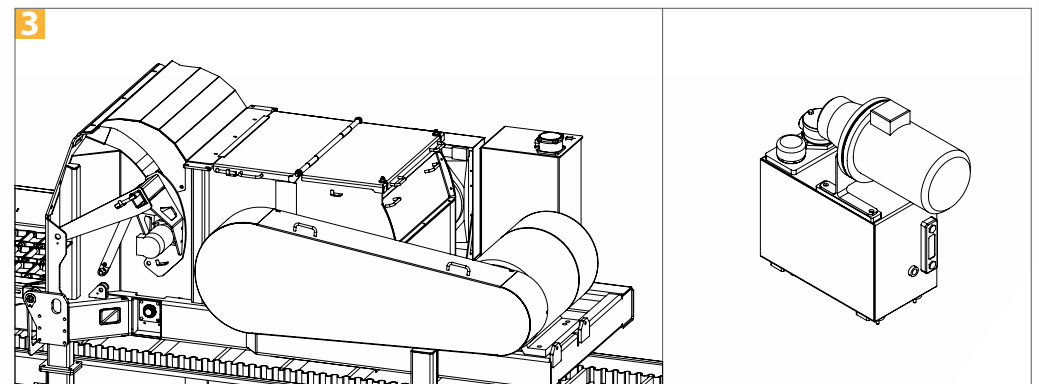
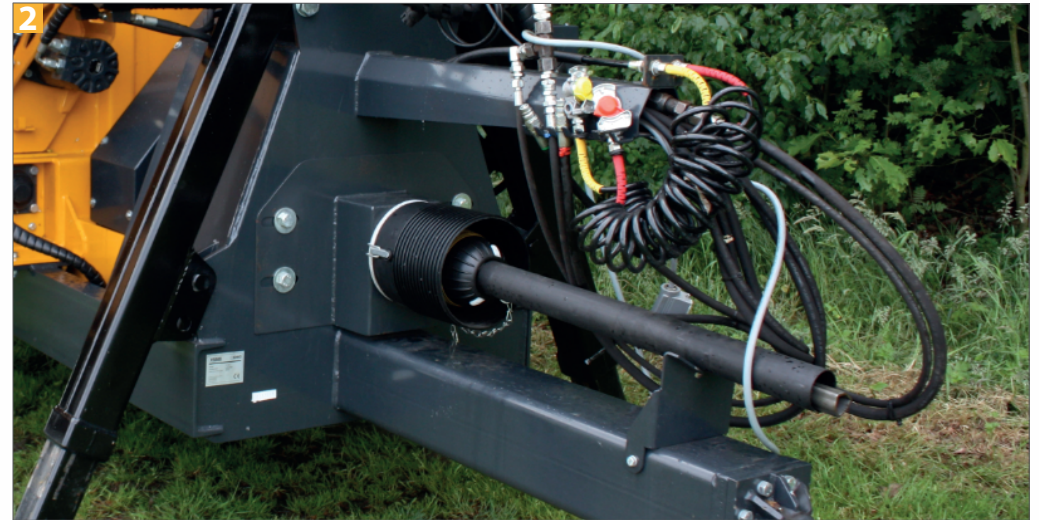
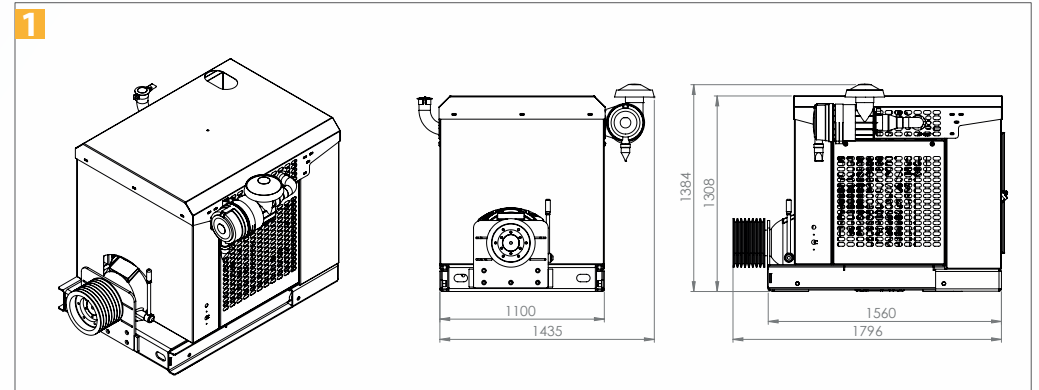
THE EC 860 CAN BE EQUIPPED WITH THE LATEST CATERPILLAR ENGINE, RATED TIER 4 FINAL. THE C4.4 ENGINE IS DESIGNED TO MEET THE BEST FUEL EFFICIENCY, LOWEST OPERATING COSTS AND TOUGH EMISSIONS STANDARDS.

Power options

- 1** Diesel engine drive
Caterpillar C4.4 Tier 4 Final
4 in-line diesel engine
150 horsepower @ 2200rpm
(l)846*(w)772*(h)868
Manual clutch

Optional a Flexaire reversing fan can be installed, which keeps your radiator clean, maximizes engine performance and saves fuel.

- 2** PTO drive
This package includes a complete PTO drive configured to the specifications of the customers tractor. Plug-and-play!
- 3** Electro drive
The EC 860 can be equipped with an electromotor in the range from 90kW up to 160kW. This package includes a powerpack for all hydraulic functions.

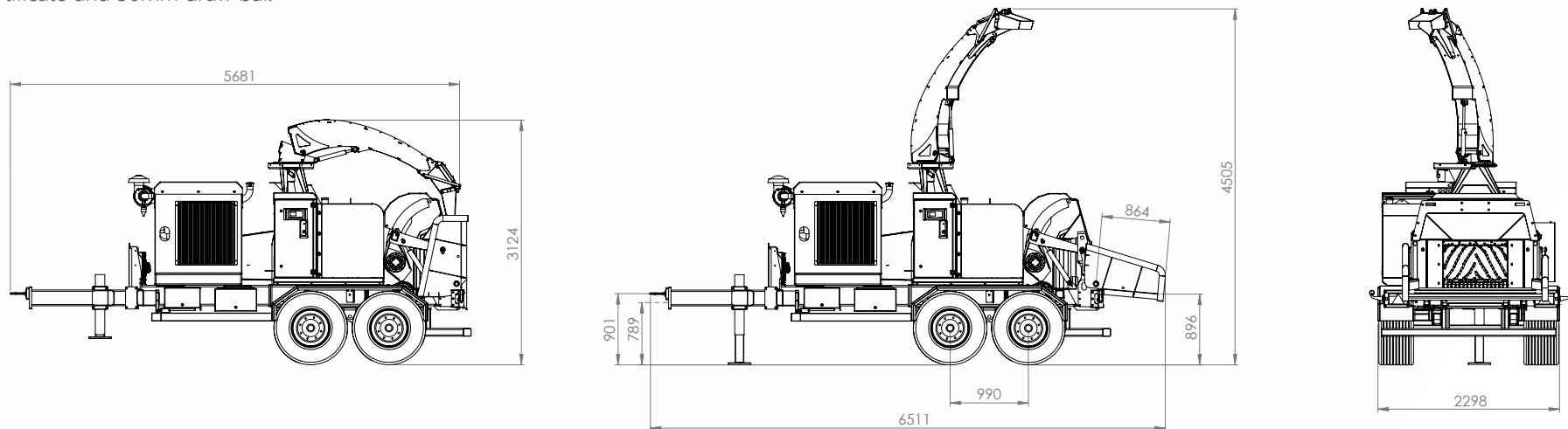
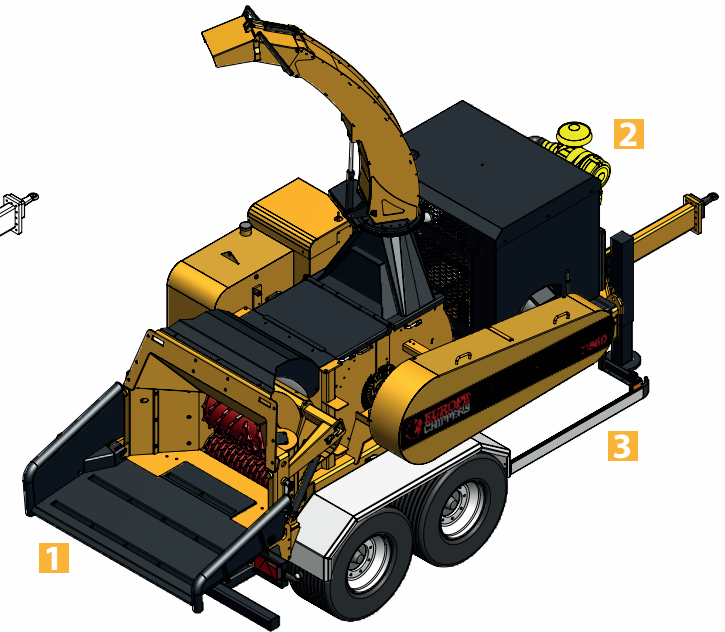
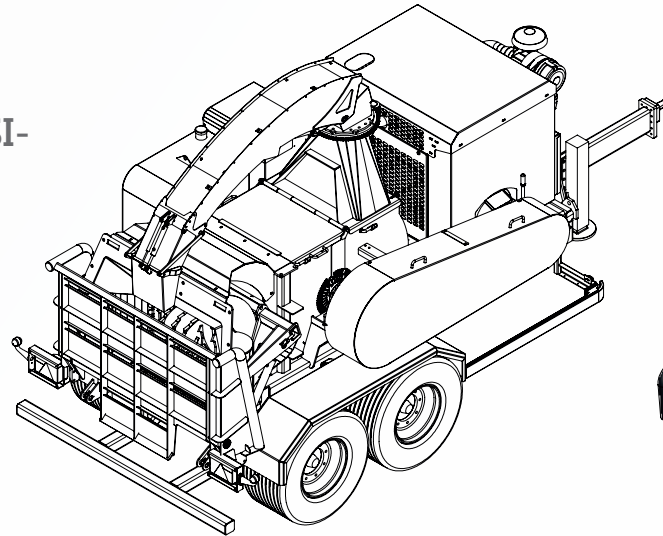


EC 860 TWIN AXLE

THE EC 860 IS THE NEW ENTRY LEVEL MODEL FROM THE EUROPE CHIPPERS LINE-UP. EASY TO OPERATE, MAINTAIN AND MANEUVER. THE TWIN AXLE VERSION IS TESTED AND APPROVED FOR UP TO 80 KM/H.

EC 860 details

- 1** The flat infeed table requires no maintenance. Sand and stones will be removed through the slots, this will increase lifetime of the knives and counterknife.
- 2** This EC 860 is equipped with a Caterpillar C4.4 Tier 4 Final engine. This 150 horsepower engine gives the best fuel efficiency and most optimal operation costs
- 3** The twin axle version of the EC 860 comes standard with one support leg, lateral protection, air brakes and an 38mm draw bar. Optional German TÜV certificate and 50mm draw bar.



EC 860 TRACKS

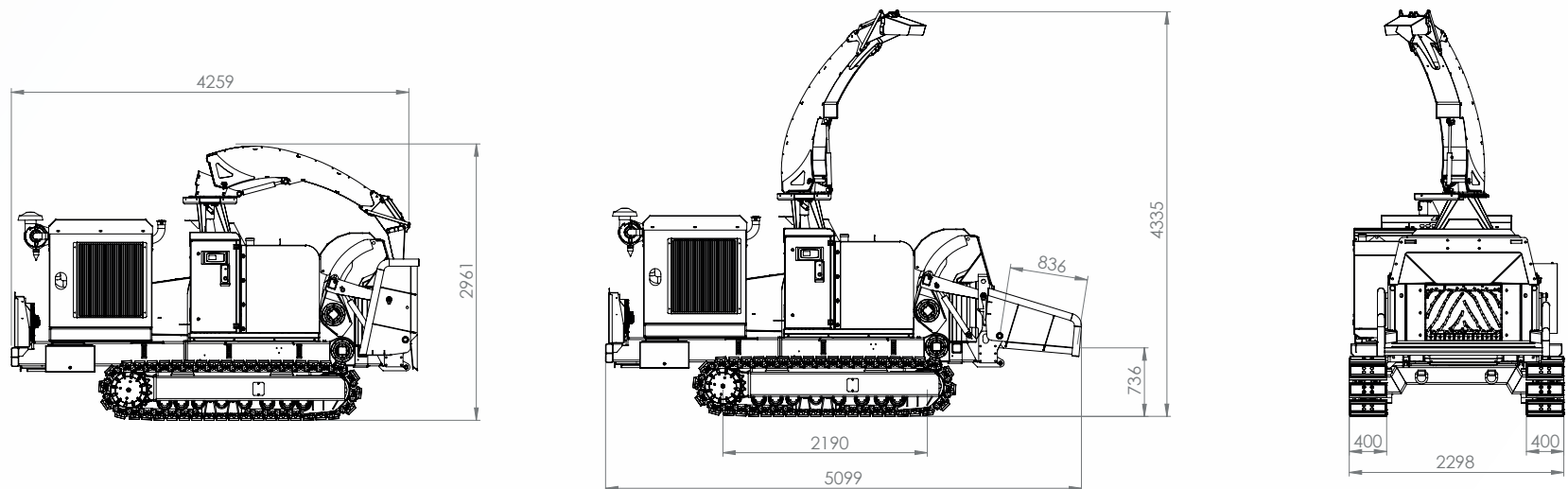
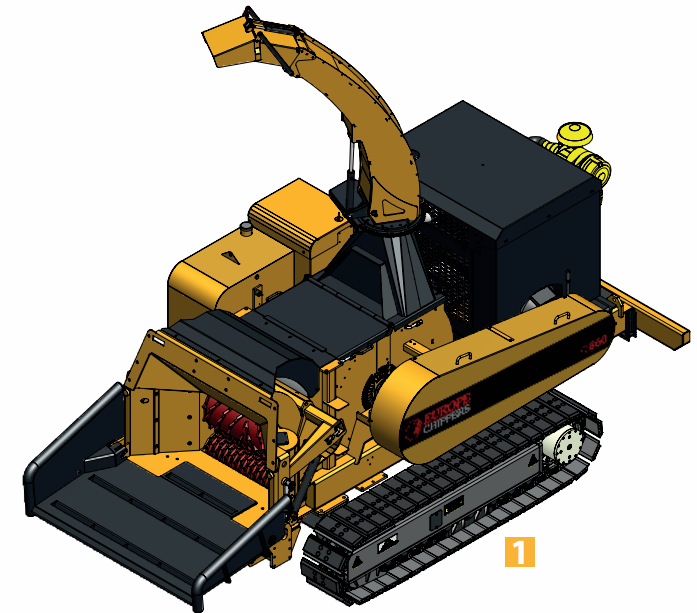
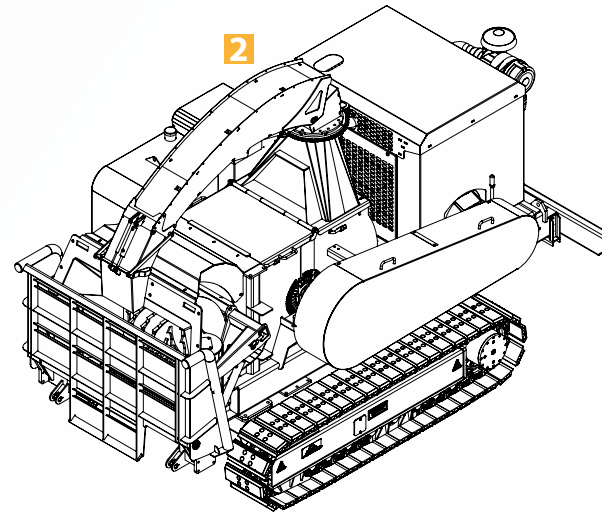
THE EC 860 IS THE NEW ENTRY LEVEL MODEL FROM THE EUROPE CHIPPERS LINE-UP. EASY TO OPERATE, MAINTAIN AND MANEUVER. THIS VERSION IS EQUIPPED WITH 400MM WIDE TRACKS FOR THE MOST RUGGED TERRAIN.

EC 860 details

- 1 The standard steel tracks can be fitted with rubber pads for maneuvering on concrete floors without damage. Controlling the tracks can be done by remote control.

With an electronic valve the tracks switch between the low- and high gearing.

- 2 Total weight of this machine is only 9500kg and compact enough to fit in a container.



DEALER

--

